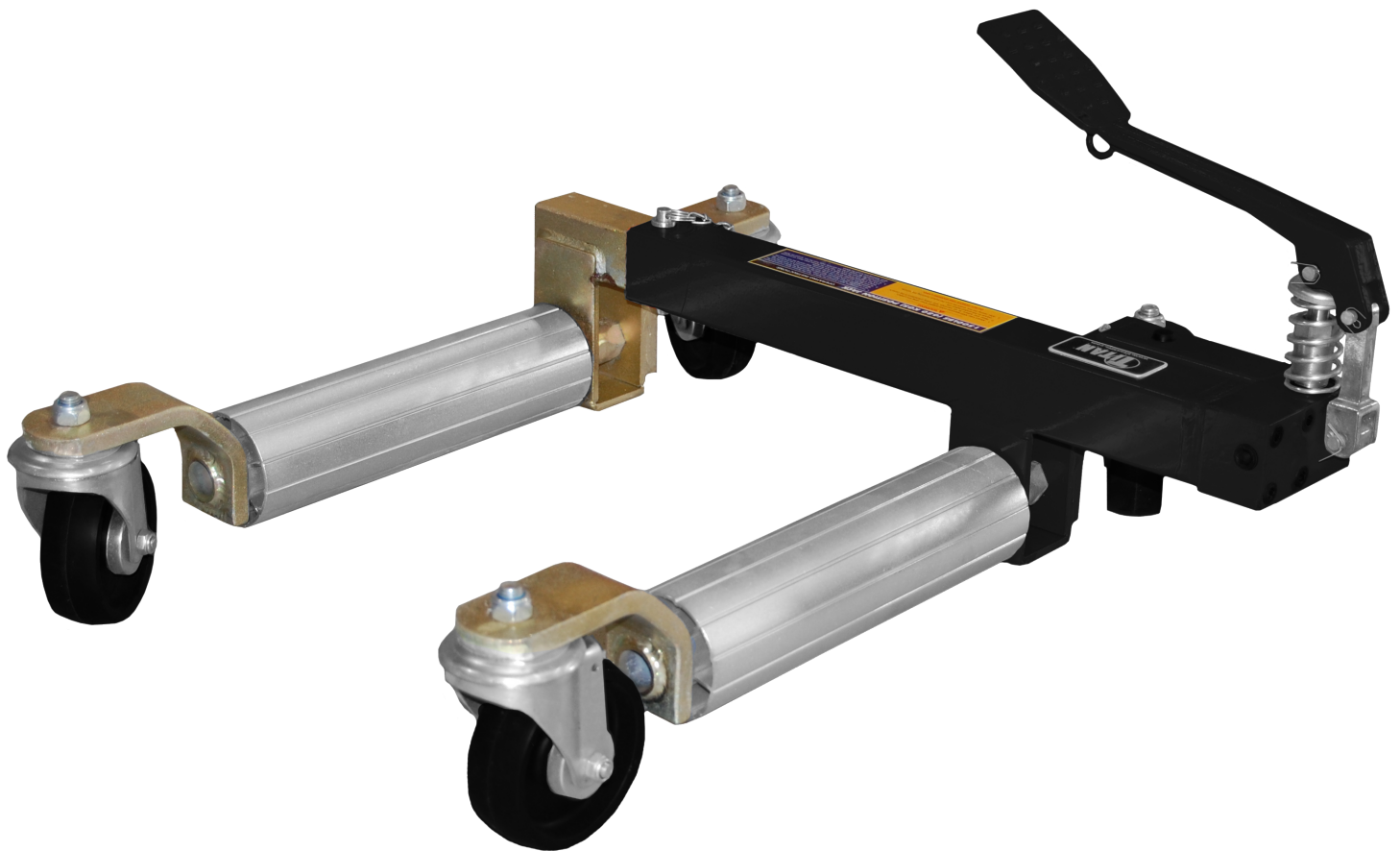




## **INSTALLATION, OPERATION, & MAINTENANCE MANUAL**



### **VPJ-1500EZ & VPJ-1500EZ-XL Hydraulic Vehicle Positioning Jacks**

**⚠ FOLLOW THIS MANUAL CAREFULLY TO ENSURE THE PRODUCT WILL FUNCTION CORRECTLY AND PROVIDE MANY YEARS OF DEPENDABLE SERVICE. FAILURE TO FOLLOW THESE INSTRUCTIONS AND SAFETY WARNINGS MAY RESULT IN PERSONAL INJURY OR PROPERTY DAMAGE. USE OF STRAPS IS RECOMMENDED - SOLD SEPARATELY. KEEP THIS MANUAL IN A SAFE DRY PLACE FOR FUTURE REFERENCE.**



**TITAN MARKETING, LLC**

PO Box 7069 Greenwood, IN 46142  
1.888.908-4826 FAX (317) 215.2770  
www.titanlifts.com

To Our Valued Customers:

Thank you for purchasing a Titan Lifts® product. We hope this high quality equipment provides you with years of dependable service.

It is unfortunate that rare situations may occur with the products you purchase from Titan Lifts®. We value your business as well as the trust you have and need to maintain your relationship with us. Titan Lifts® carries liability coverage that may protect our customers if a situation does occur. However, as in all accidents there must be proof of liability for a claim to be made. Our insurance company requires the following procedures be observed in order to consider a claim:

- A. The claimant must contact the Titan Lifts® distributor immediately with the facts of the situation.
- B. If any equipment is damaged, including vehicles or shop equipment, Titan Lifts® must be given the opportunity to send an impartial representative to the site for proper assessment of the situation.
- C. The Vehicle cannot be moved until either an impartial representative has reviewed the accident or clear and precise pictures are taken that reflect all the pertinent information for an impartial representative to be able to access the information from a distance. Titan Lifts® or its representatives must approve the pictures before anything can be moved.
- D. If any potential liability is determined on behalf of Titan Lifts®, two estimates must be submitted for damages to be reimbursed.

It is imperative that the claimant complies with these procedures, because without proper assessment of the situation a claim will be denied.

#### ARBITRATION NOTICE

The installation or use of this equipment shall constitute an acknowledgement that the user agrees to resolve any and all disputes or claims of any kind whatsoever, which relate in any way to the equipment, by way of binding arbitration, not litigation. No suit or legal action may be filed in any state or federal court. Any arbitration shall be governed by the Federal Arbitration Act, and administered by the American Mediation Association, Indianapolis Indiana. The maximum amount that an arbitrator may award and all damages shall not exceed the retail value of this equipment.


#### WARRANTY NOTICE

This equipment must be installed by a "Professional Installer" assembled and used in the manner according to the documentation provided to be covered by warranty.

Damaged or missing components must be reported within 72 hours of receipt to your freight carrier and to the distributor. Claims must be filed to cover cost.


If you have any questions or if we can be of any further assistance, please don't hesitate to contact a Titan Lifts® representative at 1-888-908-4826. Thank you for the opportunity to continue to serve your lift equipment needs.


# INSTRUCTIONS


 **WARNING:** READ ENTIRE MANUAL AND COMPLY WITH ALL SAFETY AND SERVICE PRECAUTIONS. DEATH, PERSONAL INJURY AND / OR PROPERTY DAMAGE MAY OCCUR IF INSTRUCTIONS ARE NOT FOLLOWED CAREFULLY.

## **ASSEMBLY AND OPERATION REFER TO PARTS LIST**

1. Carefully unpack the positioning jacks making sure that all of the parts and pieces have been included.
2. Find both of the Rod Assemblies (3) for each positioning jack. Be prepared to attach one to the Outer Body & Axle Assembly (13) and the other to the Inner Body & Axle Assembly (8).
3. Insert the Roller Raceway (5) into the Roller (6).
4. Press the Rod Assembly (3) into the Outer Body & Axle Assembly (13). Use the washer (10), lock washer (11) and bolt (4) to secure everything in place. Repeat this with the other Rod Assembly (3) and the Inner Body & Axle Assembly (8).

 **WARNING:** BEFORE OPERATING THE POSITIONING JACK, MAKE SURE THAT ALL THE HARDWARE IS SECURE AND THAT EACH UNIT HAS BEEN BLED AND TESTED PROPERLY.

 **NOTE:** BLEEDING THE AIR OUT OF THE SYSTEM BEFORE USING THE POSITIONING JACK FOR THE FIRST TIME OR HAVING NOT BEEN USED OVER AN EXTENDED PERIOD OF TIME IS NEEDED FOR OPTIMUM USAGE. SEE PAGE 3 FOR INSTRUCTIONS ON PROPER BLEEDING.

 **NOTE:** WHEN TURNING THE RELEASE VALVE, BE CAREFUL NOT TO TURN IT TOO FAR. DOING SO WILL REMOVE THE VALVE COMPLETELY FROM THE UNIT ALLOWING THE HYDRAULIC OIL TO SPILL OUT.

1. Check the hydraulic oil level in each positioning jack before operation. If low, fill with a ten weight hydraulic fluid.
2. Make sure that the vehicle being lifted is located on a solid flat surface.
3. Turn the Release Valve (A17) counterclockwise to release the pressure, then spread the Rollers (6) apart from one another. After the Rollers (6) are fully spread apart, turn the Release Valve (A17) clockwise until it is closed. The positioning jack will not work unless the Release Valve (A17) is turned completely to the right.
4. Slide the positioning jack around the tire so that the Rollers (6) are perpendicular to the tire. Make sure that each tire has a positioning jack around it before raising.
5. To raise each tire, pump each Foot Pedal (17) so that the Rollers (6) move together and lift the tire off the ground.
6. **IMPORTANT:** Once raised to the desired height, insert the Lock Pin (12) into the Outer Body & Axle Assembly (13) then press the Foot Pedal (A01) down and swing the Pedal Lock Assembly (14) up to secure the Foot Pedal (A01) in place.

7. Once all four tires are resting on the positioning jacks, the vehicle can be pushed into the desired location.
8. To lower the vehicle, turn the Release Valve (A17) counterclockwise until the weight of the vehicle begins to spread the Rollers (6) apart allowing the tire to rest on the ground.
9. Remove the positioning jacks from each tire and secure the Foot Pedal (A01) with the Pedal Lock Assembly (14).

## **BLEEDING**

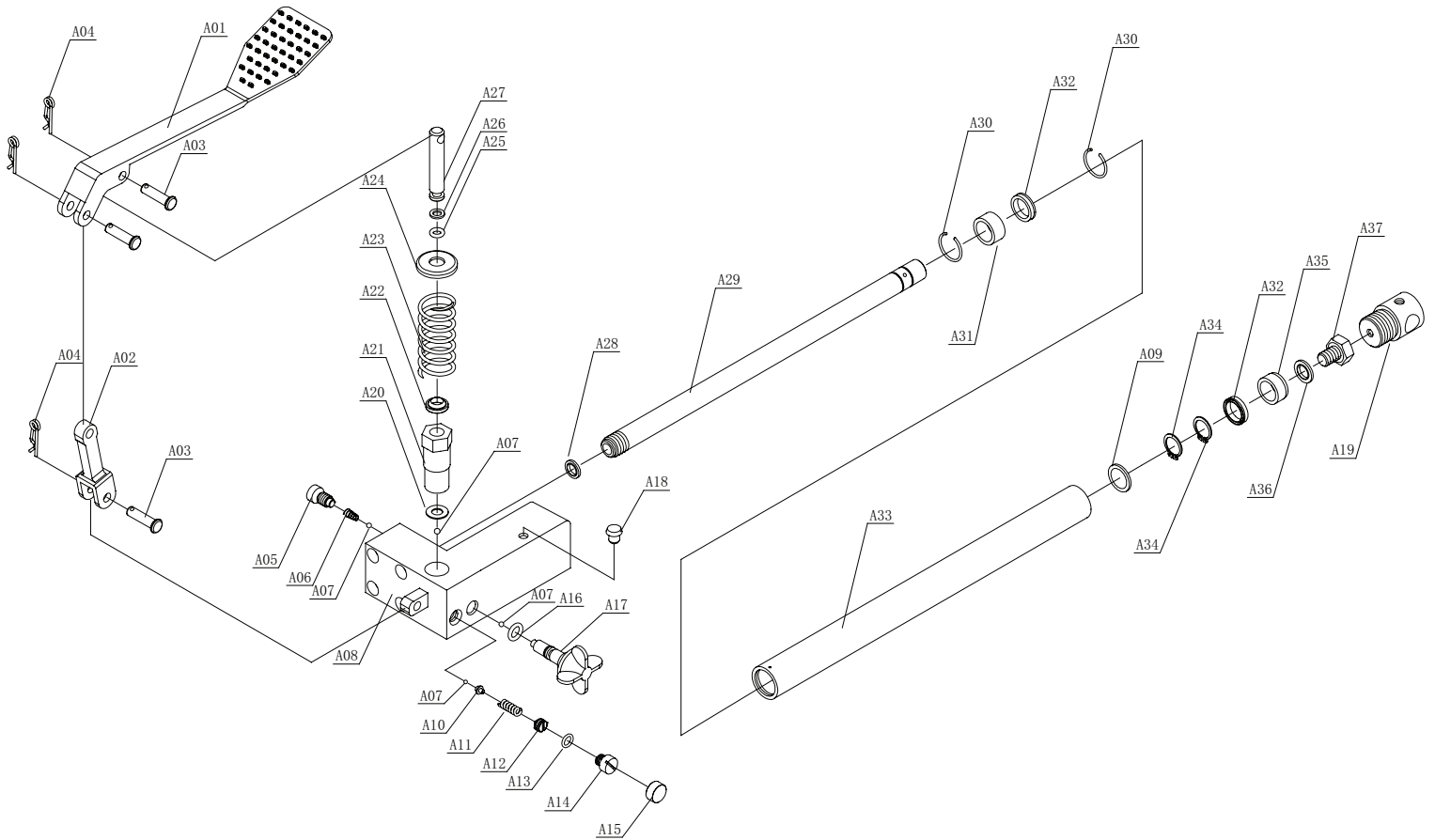


**Note:** From time to time it might be necessary to purge air out from the hydraulic system. It is important that this be done to ensure that the positioning jacks work with maximum efficiency.

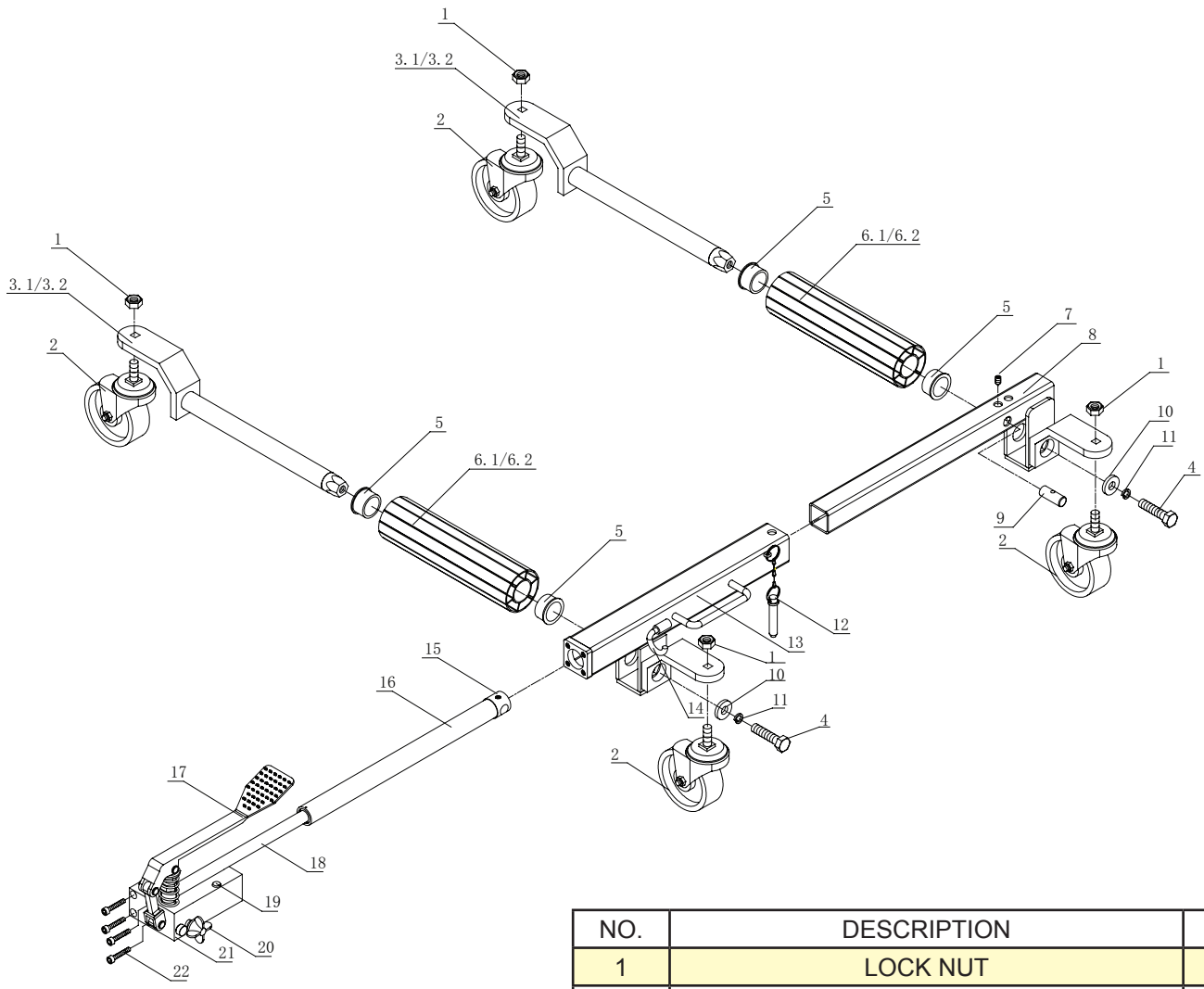
1. If the release valve is turned all the way to the right, turn it counter clockwise as if you were going to pull the rollers apart.
2. Pump the foot pedal rapidly about ten times to push any air out of the system.
3. Check to make sure there is enough hydraulic fluid in the system and top it off if needed.
4. Tighten the release valve back up and secure the foot pedal with the pedal lock assembly.

## **SAFETY PRECAUTIONS**

1. Load should not exceed rated capacity for positioning jacks - 1500lbs per jack
2. A vehicle's engine must be turned off and the parking brake must be set before lifting
3. Make sure the lock pin is in the outer body & axis assembly before moving.
4. Do not allow people in the vehicle when it is being lifted or moved.
5. Never work underneath the vehicle while it is resting on the positioning jacks.
6. Only trained people should operate the positioning jacks.
7. Indoor use recommended.
8. Keep hands, tools and other extremities away from moving parts.
9. Check for damaged or worn parts that may affect the operation of the jack and replace immediately before use.
10. Maintain a safe working environment. The work area should be clean, dry, clutter free and sufficiently lit.
11. Wear proper safety attire. Do not wear loose fitting clothing while operating lift. Long hair and sleeves should be secured.
12. Keep children and bystanders away from work area. Do not let children operate or play with the equipment.
13. Do not use if under the influence of drugs or alcohol. Operator must be alert at all times when using heavy lift equipment.
14. Use these jacks only for the work they are intended. Do not use this product for an application for which it was not designed. Misuse can lead to personal injury and/or property damage.
15. Have your positioning jacks serviced by a qualified repair person using only identical Titan Lifts® replacement parts and attachments. This will ensure that the safety of the jacks is maintained.



NO.	DESCRIPTION	QTY	NO	DESCRIPTION	QTY
A01	PEDAL	1	A20	SEAL RING	1
A02	CONNECTOR	1	A21	PUMP CYLINDER	1
A03	PIN	3	A22	DUST COVER	1
A04	R-PIN	3	A23	SPRING	1
A05	HEX SCREW	1	A24	SPRING COVER	1
A06	SPRING	1	A25	O-RING	1
A07	BALL	2	A26	RETAINING RING	1
A08	PUMP BODY	1	A27	PISTON	1
A09	SEAL RING	1	A28	SEAL RING	1
A10	BASE	1	A29	CYLINDER	1
A11	SPRING	1	A30	RETAINING RING	2
A12	SCREW	1	A31	BUSHING	1
A13	O-RING	1	A32	SEAL RING	2
A14	SCREW	1	A33	PUMP ASSYMBLY	1
A15	COVER	1	A34	CIRCLIP	2
A16	O-RING	1	A35	CIRCLIP	1
A17	RELEASE VALVE	1	A36	SEAL RING	1
A18	OIL PLUG	1	A37	SCREW	1
A19	CONNECTING BASE	1			



NO.	DESCRIPTION	QTY
1	LOCK NUT	4
2	CASTER	4
3.1	ROD ASSEMBLY	2
3.2	ROD ASSEMBLY XL	2
4	BOLT	2
5	ROLLER RACEWAY (NYLON)	4
6.1	ROLLER	2
6.2	ROLLER XL	2
7	SCREW	1
8	INNER BODY AXLE ASSEMBLY	1
9	PIN	1
10	WASHER	2
11	LOCK WASHER	2
12	LOCK PIN	1
13	OUTER BODY AXLE ASSEMBLY	1
14	PEDAL LOCK ASSEMBLY	1
15	CONNECTOR ROD	1
16	CYLINDER	1
17	PEDAL	1
18	RAM	1
19	OIL PLUG	1
20	RELEASE VALVE	1
21	PUMP	1
22	HEX BOLT	4

**PLEASE READ THE FOLLOWING CAREFULLY**

THE MANUFACTURER AND/OR DISTRIBUTOR HAS PROVIDED THE PARTS LIST AND ASSEMBLY DIAGRAM IN THIS MANUAL AS A REFERENCE TOOL ONLY. THE MANUFACTURER OR DISTRIBUTOR DOES NOT MAKE ANY REPRESENTATION OR WARRANTY OF ANY KIND TO THE BUYER THAT HE OR SHE IS QUALIFIED TO MAKE ANY REPAIRS TO THE PRODUCT, OR THAT HE OR SHE IS QUALIFIED TO REPLACE ANY PARTS OF THE PRODUCT. THE MANUFACTURER AND/OR DISTRIBUTOR EXPRESSLY STATES THAT ALL REPAIRS AND PARTS REPLACEMENTS SHOULD BE PERFORMED BY CERTIFIED AND LICENSED TECHNICIANS, AND NOT BY THE BUYER. THE BUYER ASSUMES ALL RISK AND LIABILITY ARISING OUT OF HIS OR HER REPAIRS TO THE ORIGINAL PRODUCT OR REPLACEMENT PARTS THERETO, OR ARISING OUT OF HIS OR HER INSTALLATION OF REPLACEMENT PARTS THERETO.

Product's Serial Number: \_\_\_\_\_

**Note:** If product does not have a serial number, record the month and year of purchase instead.

**Note:** Some parts are listed and shown for illustration purposes only, and are not available individually as replacement parts.



## **WARNING**



The warnings, precautions and instructions in this manual cannot cover all possible conditions and situations that may occur. The operator must understand that the operator must supply common sense and examine caution factors when using this product to determine safety in all circumstances being used.



**TITAN MARKETING, LLC**

PO Box 7069 Greenwood, IN 46142  
1.888.908-4826 FAX (317) 215.2770  
[www.titanlifts.com](http://www.titanlifts.com)

Copyright © 2014 by Titan Marketing, LLC. All rights reserved. No portion of this manual or any artwork contained herein may be reproduced in any shape or form without the express consent of Titan Marketing, LLC. Diagrams within this manual may not be drawn proportionally. Due to continuing improvements, actual product may differ slightly from the product described herein. Tools required for assembly and service may not be included.